

DRG. No.
PCG/ATX/SPMHN

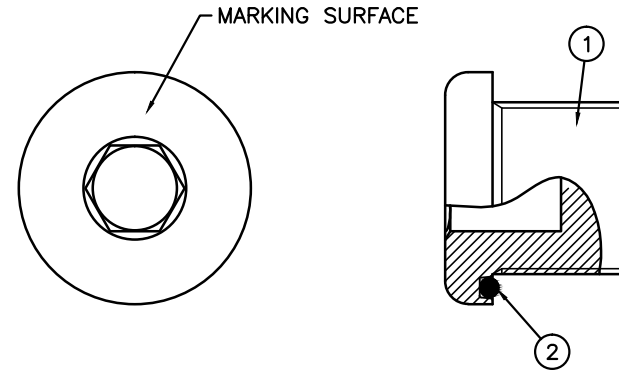
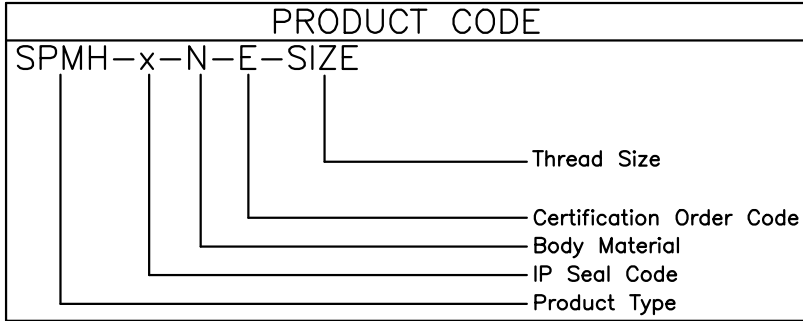
DO NOT SCALE OFF DRAWING "IF IN DOUBT ASK".
REPORT ALL ERRORS AND ALTERATIONS.

THIRD ANGLE PROJECTION

MARKING EXAMPLE

PEPPERS GU15 3BT UK
SPMH M20
CML 17ATEX3256X IECEx CML 17.0145X
Ex eb IIC Gb / Ex ta IIIC Da
II 1D 2G IP66 / IP68

DRAWN RJW
DATE 23/11/17
CHECKED
APPROVED
CAD REF
SCALE N.T.S
ISSUE
1. Original



IP Seal Types, Codes & Materials			
Seal Code	Seal Type & Material	Seal Code	Seal Type & Material
0	No Seal	5	VITON O-Ring
1	Nitrile O-Ring	6	EPDM O-Ring
2	Neoprene O-Ring		
3	Silicone O-Ring		
4	Fluorosilicone O-Ring		

Body Material	Code		Spec. or Drg. No.
	N	Nylon	Polyamide 6
Primary Protection Concept	D		
	E	Ex eb, Ex ta	
	F		
	G		
	H		
J			

Thread types	Thread sizes - metal plugs
ISO METRIC	M12, M16, M20, M25, M32, M40, M50, M63 and M75
NPT, NPSM	3/8, 1/2, 3/4, 1, 1-1/4, 1-1/2, 2 and 2-1/2 inch
BSPT, BSPP (ISO pipe)	3/8, 1/2, 3/4, 1, 1-1/4, 1-1/2, 2 and 2-1/2 inch


DRG No. CHART		
Item No.	Description	Drg No.
1	Stopping Plug, Mushroom Head - Metric	PCG/ATX/NSP-1
1	Stopping Plug, Mushroom Head - PIPE	PCG/ATX/NSP-2
2	O-Ring Seal	PCG/ETOR

Associated Approval Documents	
Document	Title
PCG/ATX/PEXMP	Peppers Ex Marking Plan

X-REFS:-

NOTES:

- Unless limited by the temperature of the o-ring, standard product, at the point of mounting, is approved for use between -25°C to +130°C.
- When installed in accordance with Peppers Installation Instructions the standard product will maintain IP66 and IPX8 to a depth of 100 metres for 7 days.
- Product may be manufactured with other thread forms providing minimum wall thickness and ingress protection/sealing is maintained. Alternate thread forms include but are not limited to: - PG, BSPP, BSPT, NPSM, ET.
- Product may be manufactured with a shorter thread to suit installation but with a minimum length of 10.0mm.

 **PEPPERS CABLE GLANDS LIMITED**
STANHOPE ROAD, CAMBERLEY, SURREY, UK.
TEL +44 (0)1276 64232, FAX +44 (0)1276 691752

TITLE ATEX RANGE ACCESSORIES
NYLON STOPPING PLUG - SPMH*N
MUSHROOM HEAD

The design and manufacturing information contained in this drawing is the exclusive right of PEPPERS CABLE GLANDS LTD and must not be copied or used for manufacturing purposes without express authority in writing from the said company.

DRG. No.
PCG/ATX/SPMHN
ISSUE 1

THIS DRAWING IS OF A CERTIFIED COMPONENT, AND NO CHANGES MUST BE MADE WITHOUT REFERENCE TO THE CERTIFYING AUTHORITY.