

DRG. No.  
PCG/ATX/AR

DO NOT SCALE OFF DRAWING "IF IN DOUBT ASK".  
REPORT ALL ERRORS AND ALTERATIONS.

THIRD ANGLE PROJECTION

**MARKING EXAMPLE**

PEPPERS GU15 3BT UK xx (Year Code)  
AR M20 x M25 CML19ATEX1090X  
CML19ATEX4092X IECEX SIR 19.0022X  
Exdb I Mb & IIC Gb, Exeb I Mb & IIC Gb  
Ex nR IIC Gc, Exta IIC Da  
Ex I M2 II 1D 2/3G IP66 IP68

ADDITIONAL MARKING:--

DRAWN RJW

DATE 15/04/09

CHECKED

APPROVED

CAD REF PCGATXAR-11

SCALE N.T.S

ISSUE

1. Original

2. 03/08/2010

Clarification of CSA product marking.

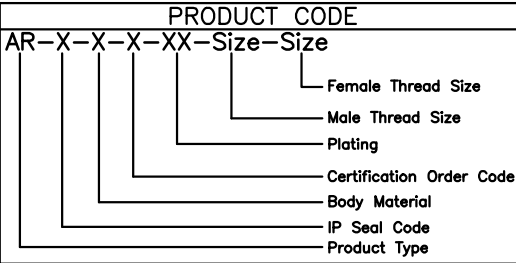
3. 20/09/2018

Correction of part coding, update of Notes & data table.

Ex ta concept added, additional protection concepts updated. CSA marking information removed. Marking example corrected for nR. Notes 4 & 7 amended. Note 9 removed and 10 re-numbered. New Notes 10, 11, 12, 13 & 14 added.

Cert' no.s updated.

**FOR THREAD TYPE & SIZE COMBINATIONS SEE SHEET 2**



**DRG No. CHART**

Item No.	Description	Drng No.
1	Adaptor, Metric to Metric	PCG/ATX/A-1
1	Adaptor, Metric to pipe	PCG/ATX/A-2
1	Adaptor, Metric to PG	PCG/ATX/A-3
1	Adaptor, NPT/BSPT to Metric	PCG/ATX/A-4
1	Adaptor, NPT/BSPT to pipe	PCG/ATX/A-5
1	Adaptor, NPT/BSPT to PG	PCG/ATX/A-6
1	Adaptor, PG to Metric	PCG/ATX/A-7
1	Adaptor, PG to pipe	PCG/ATX/A-8
1	Adaptor, PG to PG	PCG/ATX/A-9
1	Adaptor, NPT/BSPT to Metric (larger hexagon)	PCG/ATX/A-10
1	Adaptor, NPT/BSPT to pipe (larger hexagon)	PCG/ATX/A-11
1	Adaptor, NPT/BSPT to PG (larger hexagon)	PCG/ATX/A-12
1	Adaptor, NPSM/BSPP to Metric	PCG/ATX/A-13
1	Adaptor, NPSM/BSPP to pipe	PCG/ATX/A-14
1	Adaptor, NPSM/BSPP to PG	PCG/ATX/A-15
2	Reducer, Metric to Metric	PCG/ATX/R-1
2	Reducer, Metric to pipe	PCG/ATX/R-2
2	Reducer, Metric to PG	PCG/ATX/R-3
2	Reducer, NPT/BSPT to Metric	PCG/ATX/R-4
2	Reducer, NPT/BSPT to pipe	PCG/ATX/R-5
2	Reducer, NPT/BSPT to PG	PCG/ATX/R-6
2	Reducer, PG to Metric	PCG/ATX/R-7
2	Reducer, PG to pipe	PCG/ATX/R-8
2	Reducer, PG to PG	PCG/ATX/R-9
2	Reducer, NPT/BSPT to Metric (larger hexagon)	PCG/ATX/R-10
2	Reducer, NPT/BSPT to pipe (larger hexagon)	PCG/ATX/R-11
2	Reducer, NPSM/BSPP to Metric (larger hexagon)	PCG/ATX/R-12
2	Reducer, NPSM/BSPP to Metric	PCG/ATX/R-13
2	Reducer, NPSM/BSPP to pipe	PCG/ATX/R-14
2	Reducer, NPSM/BSPP to PG	PCG/ATX/R-15
3	O-Ring Seal	PCG/ETOR

**Seal Types, Codes & Materials**

Seal Code	Seal Type & Material	Seal Code	Seal Type & Material
0	No Seal	4	Fluorosilicone O-Ring
1	Nitrile O-Ring	5	VITON O-Ring
2	Neoprene O-Ring	6	EPDM O-Ring
3	Silicone O-Ring		

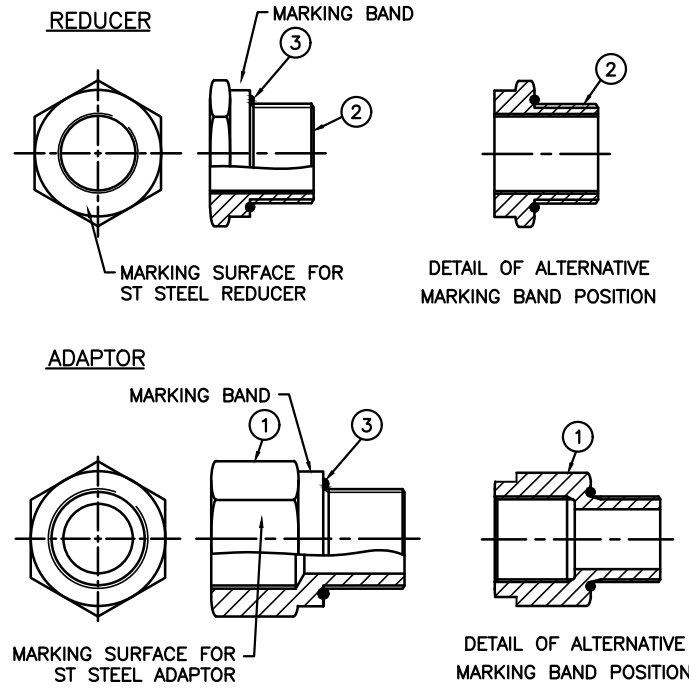
Code	Material	Spec. or Drng. No.
B	Brass	Drng. No. PCG/MATS/SB
S	St. Steel	Drng. No. PCG/MATS/SB
A	Al. Alloy	Drng. No. PCG/MATS/AL

Plating	Code	Material
	OO	None
	NP	Nickel
	ZP	Zinc
	AN	Anodised

Protection Code Certificate Dependent	Code	Material
E	Ex eb I Mb, Ex eb IIC Gb	
	Ex db I Mb, Ex db IIC Gb	
	Ex eb I Mb, Ex eb IIC Gb	
	Ex nR IIC Gc, Ex ta IIC Da	
	Or	
F	Ex eb I Mb, Ex eb IIC Gb	
	Ex nR IIC Gc, Ex ta IIC Da	

**Associated Approval Documents**

Document	Title
PCG/ATX/PEXMP	Peppers Ex Marking Plan



- NOTES:**
- O-ring seals are not provided on taper threads as standard.
  - Some sizes have larger hexagons than the standard product & are made to alternative drawings.
  - Product may be manufactured with alternative marking band position.
  - Unless limited by the temperature of the O-ring, the standard product, at the point of mounting, is approved for use between -100°C to +400°C
  - Aluminium versions are not marked or permitted for Group 1 applications.
  - When installed in accordance with Peppers installation instructions the standard product will maintain IP66 and IPX8 to a depth of 100 metres for 7 days.
  - Product may be manufactured with other male thread forms providing they are in compliance with IEC 60079-1 and minimum wall thickness' are maintained.
  - Maximum plating thickness is 0.008mm.
  - Where bar stock is not available products may be made from larger hexagonal bar maintaining all other dimensions.
  - Products may be marked with applicable protection concept code E or F.
  - Adaptors and reducers with internal threads other than Metric and NPT are not marked or permitted for use in Ex db applications. Protection concept code 'F' alternative.
  - All thread types have a tolerance of fit equal to or better than a medium fit to ISO 965-1 & ISO 965-3.
  - ATEX specific coding is not relevant for products marked for IEC only.
  - Male parallel threaded Equipment fitted with silicone or nitrile O-ring, nomenclature part codes '1' and '3' respectively, and marked 'Ex nR' are approved for installations within an 'Ex nR' certified enclosure.

THIS DRAWING IS OF A CERTIFIED COMPONENT, AND NO CHANGES MUST BE MADE WITHOUT REFERENCE TO THE CERTIFYING AUTHORITY.

**PEPPERS CABLE GLANDS LIMITED**  
STANHOPE ROAD, CAMBERLEY, SURREY, UK.  
TEL +44 (0)1276 64232, FAX +44 (0)1276 691752

TITLE **ATEX RANGE APPROVED ACCESSORIES**  
**AR ADAPTORS & REDUCERS**  
SHT 1 OF 2

The design and manufacturing information contained in this drawing is the exclusive right of PEPPERS CABLE GLANDS LTD and must not be copied or used for manufacturing purposes without express authority in writing from the said company.

DRG. No. **PCG/ATX/AR**  
ISSUE 3

