

DRG. No.
PCG/ATX/ACDP

DO NOT SCALE OFF DRAWING "IF IN DOUBT ASK".
REPORT ALL ERRORS AND ALTERATIONS.

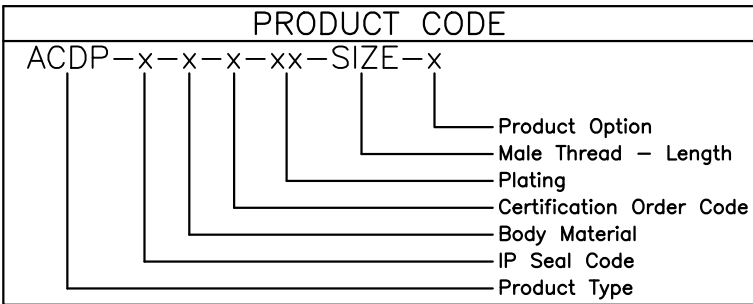
THIRD ANGLE PROJECTION

MARKING EXAMPLE

PEPPERS GU15 3BT UK
ACDP XXX (Size)
CML 19ATEX3347X IECEx CML 19.0105X
Ex eb I Mb / Ex eb IIC Gb / Ex ta IIC Da
Ex I M2 II 1D 2G IP66

ADDITIONAL MARKING:--

DRAWN RJW
DATE 16/04/09
CHECKED
APPROVED
CAD REF
SCALE N.T.S
ISSUE
1. Original
2. 21/04/2010
Marking clarification.
3. 13/11/2015
Marking, Product
coding & tables
updated. Sizes and
filter dwg ref added.
Note 3 amended.
Note 7 added.
4. 08/08/2019
Certificate numbers
updated.



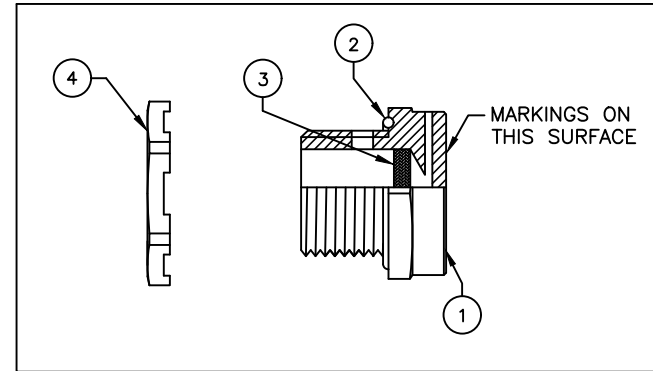
Seal Types, Codes & Materials			
Seal Code	Seal Type & Material	Seal Code	Seal Type & Material
0	No Seal	4	Fluorosilicone O-Ring
1	Nitrile O-Ring	5	VITON O-Ring
2	Neoprene O-Ring	6	EPDM O-Ring
3	Silicone O-Ring		

AVAILABLE SIZES AND OPTIONS		
Thread Size	Thread Length Options	
M12x1.5	10mm	15mm or to specification
M16x1.5	10mm	15mm or to specification
M20x1.5	10mm	15mm or to specification
M25x1.5	10mm	15mm or to specification
M32x1.5	10mm	15mm or to specification
1/4" NPT	10mm	15mm or to specification
3/8" NPT	10mm	15mm or to specification
1/2" NPT	13mm	15mm or to specification
3/4" NPT	13mm	15mm or to specification

Body Material	Code	Material	Spec. or Drg. No.
	B	Brass	Drg. No. PCG/MATS/SB
S	St. Steel	Drg. No. PCG/MATS/SB	
A	Al. Alloy	Drg. No. PCG/MATS/AL	
Plating	OO	None	
	NP	Nickel	
	ZP	Zinc	
	AN	Anodised	

Primary Protection Concept	-	
	E	Ex eb, Ex ta
	-	
	-	

Product Options	
X	No Castellated Locknut
S	Stainless Steel Sinter Option



- NOTES:
- Unless limited by the temperature of the o-ring, sealing washer or Dust Seal the standard product, at the point of mounting, is approved for use between -100°C to +400°C.
 - When installed in accordance with Peppers Installation Instructions the standard product will maintain IP66.
 - Product may be manufactured with other thread forms providing minimum wall thickness' and ingress protection/sealing is maintained. Alternate thread forms include but are not limited to: - PG, BSPP, BSPT, NPSM, ET.
 - Maximum plating thickness is 0.008mm
 - Aluminium versions are not marked or permitted for Group 1 applications.
 - M12, M16, 1/4" and 3/8" sizes are not available in aluminium.
 - Products intended for installation in Ex t 'dust ignition' equipment with tapered threads shall be the 10mm (1/4" NPT & 3/8" NPT) or 13mm (1/2" NPT & 3/4" NPT) versions. These options are manufactured with no thread drainage holes to ensure a suitable IP seal and that a minimum of 3 full threads of contact are maintained at the joint interface to the enclosure.

X-REFS:--

DRG No. CHART		
Item No.	Description	Drg No.
1	Breather Drainer Body - Short thread	PCG/ATX/BDS
1	Breather Drainer Body - Long thread	PCG/ATX/BDL
2	O-Ring Seal	PCG/ETOR
3	Filter Disc	PCG/ACFD
4	Lock Nut, Castellated	PCG/LNC

PEPPERS CABLE GLANDS LIMITED
STANHOPE ROAD, CAMBERLEY, SURREY, UK.
TEL +44 (0)1276 64232, FAX +44 (0)1276 691752

TITLE ATEX RANGE ACCESSORIES
ACDP BREATHER DRAINS

The design and manufacturing information contained in this drawing is the exclusive right of PEPPERS CABLE GLANDS LTD and must not be copied or used for manufacturing purposes without express authority in writing from the said company.

DRG. No.
PCG/ATX/ACDP
ISSUE 4

THIS DRAWING IS OF A CERTIFIED COMPONENT, AND NO CHANGES MUST BE MADE WITHOUT REFERENCE TO THE CERTIFYING AUTHORITY.