

DRG. No.
PCG/ATX/A2L/NPT

DO NOT SCALE OFF DRAWING "IF IN DOUBT ASK".
REPORT ALL ERRORS AND ALTERATIONS.

THIRD ANGLE PROJECTION

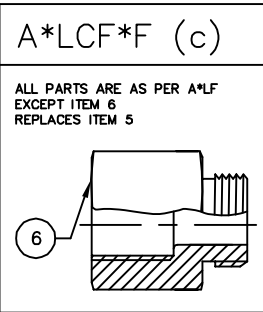
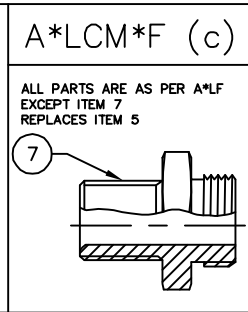
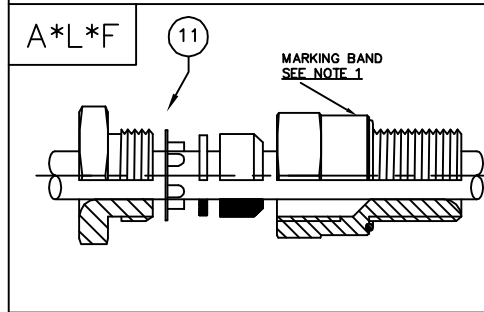
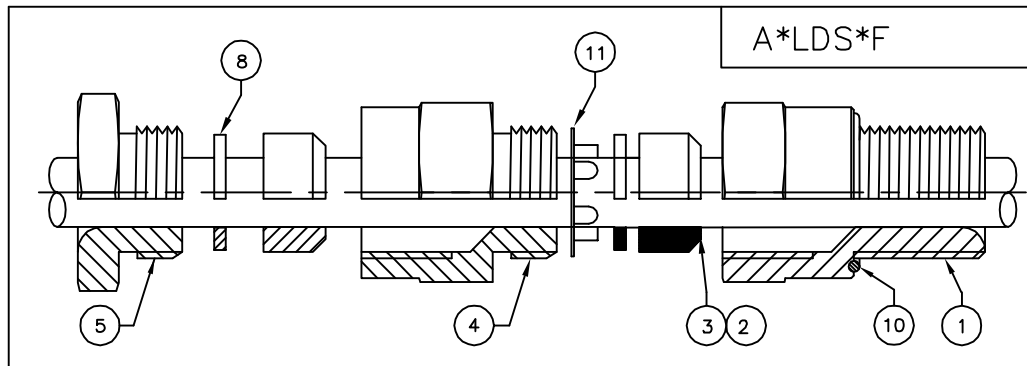
MARKING

1. EXAMPLE OF MARKING ON BAND: -
Exd IIC / Exe II / Ex tD A21 IP68
A2LCFF 16 1/2 NPT SIRA01ATEX1272X
PEPPERS GU15 3BT UK Ex II2GD IP68
xx (Year Code)

2. SPECIAL MARKS: -

Ex II 3GD
Ex nR II
SIRA 09ATEX1221X
OTHER APPROVAL
INFORMATION MAY BE
MARKED ON THE GLAND

DRAWN RJW
DATE 07/04/11
CHECKED
APPROVED
CAD REF
SCALE N.T.S
ISSUE
1. Original



ALL PARTS ARE AS PER A*LF
EXCEPT ITEM 7
REPLACES ITEM 5

ALL PARTS ARE AS PER A*LF
EXCEPT ITEM 6
REPLACES ITEM 5

PARTS LIST & CERTIFICATE CROSS-REFERENCE

Balloon Ref	Part Description	Drawing Number	Other Certificate Nos. used on	Other Certificate Nos. used on
1	ENTRY BODY	PCG/ATX/81AN	SIRA 03ATEX1479X	---
		PCG/ATX/81AN-NPT	SIRA 03ATEX1479X	---
2	SEAL	PCG/ATX/82N	SIRA 03ATEX1479X	BAS 01ATEX2271X
3	SEAL	PCG/ATX/82V	BAS 01ATEX2271X	---
4	MID CAP	PCG/ATX/85N	---	---
5	NUT	PCG/ATX/88N	SIRA 03ATEX1479X	---
6	CONDUIT NUT FEMALE	PCG/ATX/88NF	---	---
7	CONDUIT NUT MALE	PCG/ATX/88NM	---	---
8	SKID WASHER	PCG/ATX/91A	SIRA 03ATEX1479X	BAS 01ATEX2271X
10	O-RING	PCG/OR	BAS 01ATEX2271X	---
11	CONTINUITY WASHER	PCG/LW3	BAS 01ATEX2271X	---

SEAL CODES, PART NOS., MATERIALS & TEMPERATURES

Code	Material	SEAL PART NOS. (b)		OPERATING TEMPERATURE RANGE
		Not Size 16/M20	Size 16/M20	
2	Neoprene	82N	82V	-20°C to +85°C
3(a)	Silicone	82NS	82VS	-60°C to +180°C
4	Neoprene	82N	82V	-20°C to +85°C
43	Silicone	82NS	82VS	-60°C to +180°C

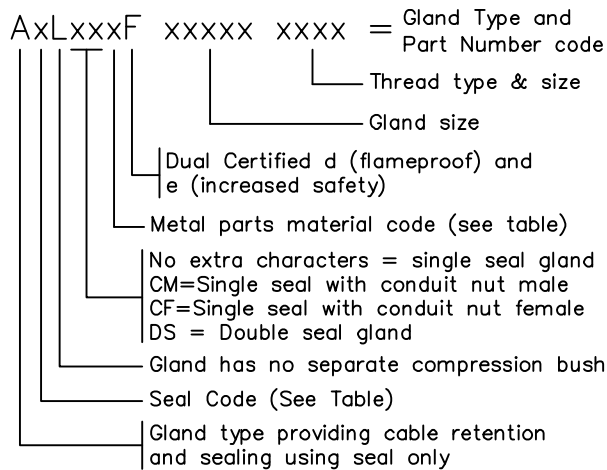
METAL PARTS MATERIAL CODES

Code	Material
--	Brass (standard - no code)
S	Stainless steel
A	Aluminium alloy

NOTES

- a) Silicone Seals are coloured white
- b) In size 16/M20 parts 2 & 8 replace parts 3 & 9
- c) A*LCM*F and A*LCF*F families only available in size range 16 - 75
- d) Nitrile O-rings Part OR are used with Code 2 glands. Silicone O-rings Part OR are used with Code 3 glands.
- e) Code 4 and 43 glands are fitted with Part 11 Continuity Washer

GLAND TYPE NUMBERING



GLAND SIZE	THREAD SIZE NPT	THREAD LENGTH MM	OUTER SHEATH	
			MIN	MAX
16	050	19.9	4.0	8.4
20S	050	19.9	7.2	11.7
20	075	20.1	9.4	14.0
25	075	20.1	13.5	20.0
32	125	25.6	19.5	26.3
40	125	25.6	23.0	32.2
50S	150	26.0	28.1	38.2
50	200	26.9	33.1	44.1
63S	200	26.9	39.2	50.1
63	250	39.9	46.7	56.0
75S	250	39.9	52.1	62.0
75	300	41.5	58.0	68.0
80	300	41.5	62.2	72.0
85	300	41.5	69.0	78.0
90	300	41.5	74.0	84.0
100	350	42.8	82.0	90.0

THIS DRAWING IS OF A CERTIFIED COMPONENT, AND NO CHANGES MUST BE MADE WITHOUT REFERENCE TO THE CERTIFYING AUTHORITY.



PEPPERS CABLE GLANDS LIMITED

STANHOPE ROAD, CAMBERLEY, SURREY, UK.
TEL +44 (0)1276 64232, FAX +44 (0)1276 691752

TITLE ATEX RANGE - GLANDS FOR UNARMoured OR ARMoured CABLE - A*L*F, A*LCM*F, A*LCF*F & A*LDS*F NPT THREADS

The design and manufacturing information contained in this drawing is the exclusive right of PEPPERS CABLE GLANDS LTD and must not be copied or used for manufacturing purposes without express authority in writing from the said company.

DRG. No.
PCG/ATX/A2L/NPT
ISSUE 1