

DRG. No.
PCG/ATX/A2L

DO NOT SCALE OFF DRAWING "IF IN DOUBT ASK".
REPORT ALL ERRORS AND ALTERATIONS.

THIRD ANGLE PROJECTION

MARKING

1. EXAMPLE OF MARKING ON BAND:-

PEPPERS GU15 3BT UK Ex II 1D II 2G

A2LDSF 20S M20 SIRAO1ATEX1272X

Exdb IIC Gb / Exeb IIC Gb / Ex ta IIIC Da

IECEx SIR 07.0096X IP66 IP68

2. SPECIAL MARKS:-

Ex II 3GD Ex nR IIC Gc
SIRA 09ATEX1221X

Marking and other information may be present on the gland or packaging in accordance with document PCG/ATX/PEXMP.

DRAWN ASC

DATE 27/04/09

CHECKED

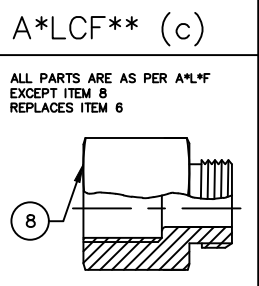
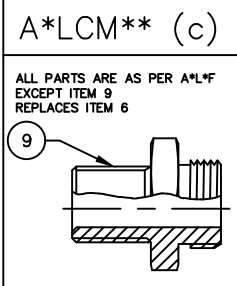
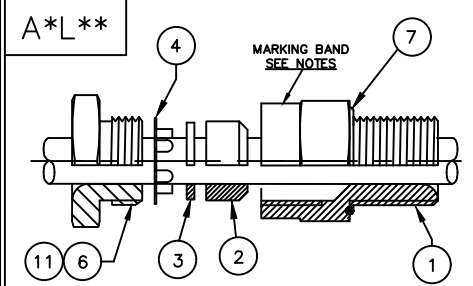
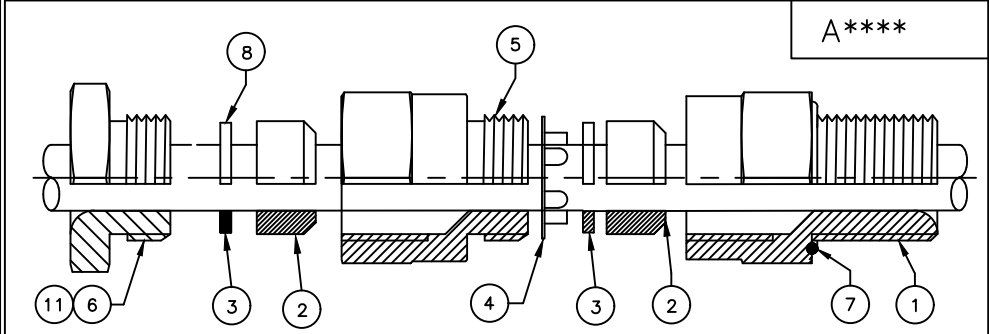
APPROVED

CAD REF PCGATXA2L

SCALE N.T.S

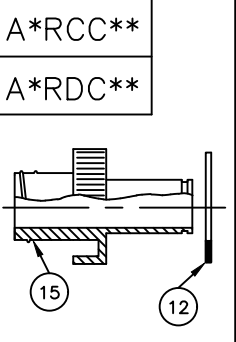
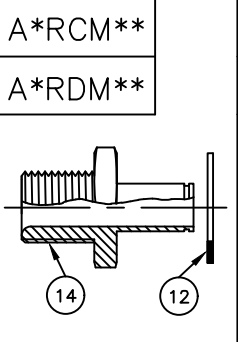
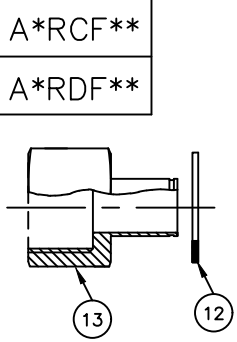
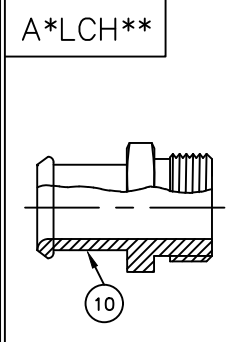
ISSUE

1. Original
2. Marking note revision
3. General revision. Size 16/M16 replaces 16/M20. Temperature range revised.
4. Marking updated to comply with latest 60079 Series & to include Extd marking.
5. 16/07/2009 Addition of Continuity Washer for Lead Sheath Cable.
6. 23/07/09 Updated to include Ex nR II marking.
7. 02/09/09 Updated to remove 81N and include new 81AN, 81AN-NPT, 82V and 82N drawing details. Part 9 removed and skid washer drawing number corrected.
8. 23/08/12 Update to marking. Inclusion of size 12 and clarification of notes and parts list. New Connector types added and drawing made 2 page.
9. 07/08/13 Parts list amended for item 3 and Note b amended.
10. 12/06/17 Protection concept marking updated. Note k & l added. Standard Entry Thread column added. A*RCC**/A*RDC** tables added added. Sht 3 created.



PARTS LIST & CERTIFICATE CROSS-REFERENCE

Balloon Ref	Part Description	Drawing Number	Alternate Drawing Number	Other Certificate Nos. used on	Other Certificate Nos. used on
1	ENTRY BODY	PCG/ATX/81AN	PCG/ATX/81ANT	SIRA 03ATEX1479X	---
2	SEAL	PCG/ATX/82N	PCG/ATX/82V	SIRA 03ATEX1479X	BAS 01ATEX2271X
3	SKID WASHER	PCG/ATX/91A	PCG/ATX/91V	SIRA 03ATEX1479X	BAS 01ATEX2271X
4	CONTINUITY WASHER	PCG/LW2	PCG/LW3	BAS 01ATEX2271X	---
5	MID CAP	PCG/ATX/85N	---	---	---
6	NUT	PCG/ATX/88N	---	SIRA 03ATEX1479X	---
7	O-RING	PCG/ETOR	---	BAS 01ATEX2271X	SIRA 03ATEX1479X
8	CONDUIT NUT FEMALE	PCG/ATX/88NF	---	---	---
9	CONDUIT NUT MALE	PCG/ATX/88NM	---	---	---
10	HOSE CONNECTOR	PCG/ATX/88NH	---	---	---
11	ROTATOR NUT	PCG/ATX/88NR	---	---	---
12	CIRCLIP	PCG/ATX/87C	---	---	---
13	ROTATING CONDUIT NUT FEMALE	PCG/ATX/89NF	---	---	---
14	ROTATING CONDUIT NUT MALE	PCG/ATX/89NM	---	---	---
15	ROTATING CONDUIT NUT SPIRAL	PCG/ATX/89NC	---	---	---



X-REFS:-

PEPPERS CABLE GLANDS LIMITED
 STANHOPE ROAD, CAMBERLEY, SURREY, UK.
 TEL +44 (0)1276 64232, FAX +44 (0)1276 691752

TITLE ATEX RANGE CABLE GLANDS
 FOR UNARMoured OR ARMoured CABLE
 A SERIES FAMILY - Sht 1 of 3

The design and manufacturing information contained in this drawing is the exclusive right of PEPPERS CABLE GLANDS LTD and must not be copied or used for manufacturing purposes without express authority in writing from the said company.

DRG. No.
PCG/ATX/A2L
ISSUE 10

THIS DRAWING IS OF A CERTIFIED COMPONENT, AND NO CHANGES MUST BE MADE WITHOUT REFERENCE TO THE CERTIFYING AUTHORITY.

DRG. No.
PCG/ATX/A2L

DO NOT SCALE OFF DRAWING "IF IN DOUBT ASK".
REPORT ALL ERRORS AND ALTERATIONS.

THIRD ANGLE PROJECTION

DRAWN ASC
DATE 27/04/09
CHECKED
APPROVED
CAD REF PCGATXA2L
SCALE N.T.S

SEAL CODES (TYPE AND TEMPERATURE)			
CODE	MATERIAL (a)	SEAL PART NUMBERS (b)	OPERATING TEMP. RANGE
1 (c)	NEOPRENE	82NI	-35°C to +90°C
2	NEOPRENE	82NI	-35°C to +90°C
3	SILICONE	82NIS	-60°C to +180°C
4 (c)	SILICONE	82NIS	-60°C to +180°C

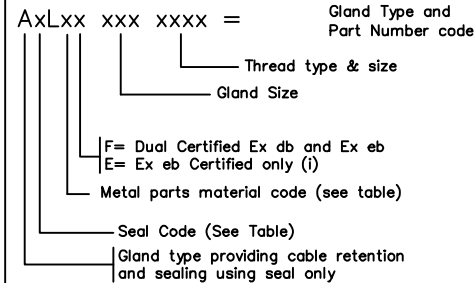
METAL PARTS MATERIAL CODES

CODE	MATERIAL
A	ALUMINIUM
B	BRASS
S	STAINLESS STEEL

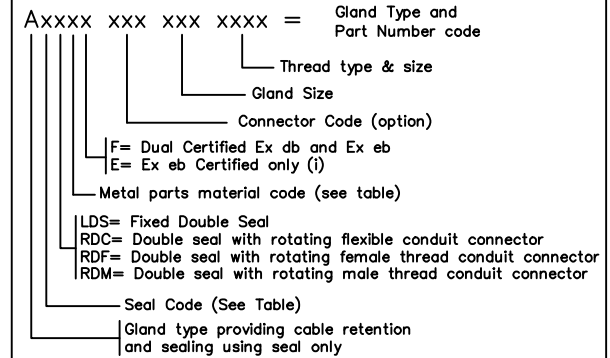
NOTES

- a Neoprene seals are colour black (parts 82NI, 82VI). Silicone seals are coloured white (parts 82NIS, 82VIS).
- b In size 16/M20 assembly part 2 is replaced with 82V part and Part 3 is replaced with 91V part
- c Codes 1 and 4 indicate continuity washer for lead sheath cable. Available in sizes 16 to 100. Sizes 20S, 50S, 50 & 100 use LW3 washer. All other sizes use LW2 washer.
- d Neoprene O-rings Part ORN are used with Code 1 & 2 glands. Silicone O-rings Part ORS are used with Code 3 & 4 glands.
- e Stainless Steel glands may have marking electrochemically etched.
- f Paint or Plating may be applied to any or all main gland body components. Maximum thickness of plating is 0.008mm. No paint shall be applied to entry thread joints.
- g Glands manufactured in aluminium may be assembled with an anti-seize compound applied to the threads to prevent galling.
- h Glands incorporating L option use Part 88N. Glands incorporating R option use Parts 87C, 88NR and required 89NC, 89NF or 89NM component accordingly.
- i Gland may be supplied with less than 8 full threads on entry thread and given certification code E to designate increased Safety approval only. E.g. A*L*E.
- j Size 12 gland not available in aluminium material option.
- k A*RCC** and A*RDC** may have reduced sealing range due to 89NC component. Refer to Peppers literature for sealing details.
- l For alternative threads and trade sizes refer to drawing PCG/ETDMV

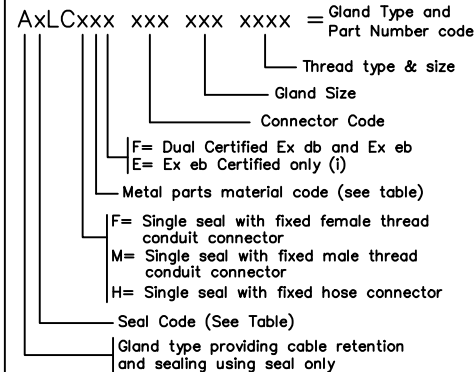
GLAND TYPE NUMBERING OPTIONS



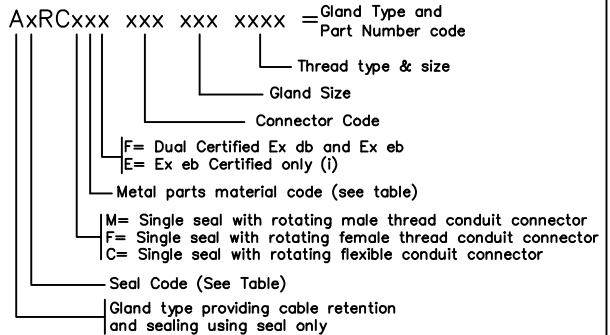
GLAND TYPE NUMBERING OPTIONS



GLAND TYPE NUMBERING OPTIONS



GLAND TYPE NUMBERING OPTIONS



- ISSUE
1. Original
 2. Marking note revision
 3. General revision. Size 16/M16 replaces 16/M20. Temperature range revised.
 4. Marking updated to comply with latest 60079 Series & to include ExtD marking.
 5. 16/07/2009 Addition of Continuity Washer for Lead Sheath Cable.
 6. 23/07/09 Updated to include Ex nR II marking.
 7. 02/09/09 Updated to remove 81N and include new 81AN, 81AN-NPT, 82V and 82N drawing details. Part 9 removed and skid washer drawing number corrected.
 8. 12/08/12 Update to marking. Inclusion of size 12 and clarification of notes and parts list. New Connector types added and drawing made 2 page.
 9. 07/08/13 Parts list amended for item 3 and Note b amended.
 10. 12/06/17 Protection concept marking updated. Note k & l added. Standard Entry Thread column added. A*RCC**/A*RDC** tables added added. Sht 3 created.

X-REFS: -

THIS DRAWING IS OF A CERTIFIED COMPONENT, AND NO CHANGES MUST BE MADE WITHOUT REFERENCE TO THE CERTIFYING AUTHORITY.



PEPPERS CABLE GLANDS LIMITED
STANHOPE ROAD, CAMBERLEY, SURREY, UK.
TEL +44 (0)1276 64232, FAX +44 (0)1276 691752

TITLE ATEX RANGE CABLE GLANDS
FOR UNARMoured OR ARMoured CABLE
A SERIES FAMILY - Sht 2 of 3

The design and manufacturing information contained in this drawing is the exclusive right of PEPPERS CABLE GLANDS LTD and must not be copied or used for manufacturing purposes without express authority in writing from the said company.

DRG. No.
PCG/ATX/A2L
ISSUE 9

DRG. No.
PCG/ATX/A2L

DO NOT SCALE OFF DRAWING "IF IN DOUBT ASK".
REPORT ALL ERRORS AND ALTERATIONS.

THIRD ANGLE PROJECTION

DRAWN ASC
DATE 27/04/09
CHECKED
APPROVED
CAD REF PCGATXA2L
SCALE N.T.S

A*L**, A*LC**, A*LDS**, A*RCF**/A*RCM**
& A*RDF**/A*RDM** CABLE SEALING RANGES


Gland Size	Standard Entry Thread		Cable Outer Sheath	
	Metric	NPT	Min	Max
12	M12	1/4" NPT	0.9	6.0
16	M16	3/8" NPT	4.0	8.4
20S	M20	1/2" NPT	7.2	11.7
20	M20	1/2" NPT	9.4	14.0
25	M25	3/4" NPT	13.5	20.0
32	M32	1" NPT	19.5	26.3
40	M40	1 1/4" NPT	23.0	32.2
50S	M50	1 1/2" NPT	28.1	38.2
50	M50	2" NPT	33.1	44.1
63S	M63	2" NPT	39.2	50.1
63	M63	2 1/2" NPT	46.7	56.0
75S	M75	2 1/2" NPT	52.1	62.0
75	M75	3" NPT	58.0	68.0
80	M80	3" NPT	62.2	72.0
85	M85	3" NPT	69.0	78.0
90	M90	3 1/2" NPT	74.0	84.0
100	M100	3 1/2" NPT	82.0	90.0

A*RCC**/A*RDC** CABLE SEALING RANGES

Gland Size	Standard Entry Thread		Cable Outer Sheath		Conduit	
	Metric	NPT	Min	Max	I/D	O/D
					Min	Max
12-1	M12	1/4" NPT	0.9	5.4	6.8	10.3
12-2	M12	1/4" NPT	0.9	6.0	10.2	14.1
12-3	M12	1/4" NPT	0.9	6.0	9.1	14.3
12-4	M12	1/4" NPT	0.9	6.0	10.9	15.8
12-5	M12	1/4" NPT	0.9	6.0	7.8	13.0
16-1	M16	3/8" NPT	4.0	8.4	10.2	14.1
16-2	M16	3/8" NPT	4.0	8.4	10.9	15.8
16-3	M16	3/8" NPT	4.0	8.4	13.0	17.1
20S-1	M20	1/2" NPT	7.2	11.0	13.0	17.1
20S-2	M20	1/2" NPT	7.2	11.7	13.9	19.3
20S-3	M20	1/2" NPT	7.2	11.7	14.6	20.7
20-1	M20	1/2" NPT	9.4	14.0	16.9	22.3
20-2	M20	1/2" NPT	9.4	14.0	16.9	23.8
20-3	M20	1/2" NPT	9.4	14.0	18.7	24.8
20-4	M20	1/2" NPT	9.4	14.0	20.7	28.3
20-5	M20	1/2" NPT	9.4	14.0	13.9	19.3
25-1	M25	3/4" NPT	13.5	20.0	23.7	31.3
25-2	M25	3/4" NPT	13.5	19.0	21.1	26.8
25-3	M25	3/4" NPT	13.5	19.0	25.0	31.3
25-4	M25	3/4" NPT	13.5	20.0	20.7	28.3
32-1	M32	1" NPT	19.5	26.0	28.1	33.3
32-2	M32	1" NPT	19.5	26.3	30.4	40.8
32-3	M32	1" NPT	19.5	26.3	30.4	38.8
40-1	M40	1 1/4" NPT	23.0	32.2	36.4	46.8
40-2	M40	1 1/4" NPT	23.0	32.2	36.4	44.8
40-3	M40	1 1/4" NPT	23.0	32.2	37.6	45.3
50S-1	M50	1 1/2" NPT	28.1	38.2	48.4	55.8
50-1	M50	2" NPT	33.1	44.1	48.4	55.8
63S-1	M63	2" NPT	39.2	50.1	57.5	64.8
63-1	M63	2 1/2" NPT	46.7	53.6	57.5	64.8

ISSUE
1. Original
2. Marking note revision
3. General revision. Size 16/M16 replaces 16/M20. Temperature range revised.
4. Marking updated to comply with latest 60079 Series & to include ExtD marking.
5. 16/07/2009 Addition of Continuity Washer for Lead Sheath Cable.
6. 23/07/09 Updated to include Ex nR II marking.
7. 02/09/09 Updated to remove 81N and include new 81AN, 81AN-NPT, 82V and 82N drawing details. Part 9 removed and skid washer drawing number corrected.
8. 23/08/12 Update to marking. Inclusion of size 12 and clarification of notes and parts list. New Connector types added and drawing made 2 page.
9. 07/08/13 Parts list amended for item 3 and Note b amended.
10. 12/06/17 Protection concept marking updated. Note k & l added. Standard Entry Thread column added. A*RCC**/A*RDC** tables added added. Sht 3 created.

X-REFS: -

 PEPPERS CABLE GLANDS LIMITED
STANHOPE ROAD, CAMBERLEY, SURREY, UK.
TEL +44 (0)1276 64232, FAX +44 (0)1276 691752

TITLE ATEX RANGE CABLE GLANDS
FOR UNARMoured OR ARMoured CABLE
A SERIES FAMILY - Sht 3 of 3

The design and manufacturing information contained in this drawing is the exclusive right of PEPPERS CABLE GLANDS LTD and must not be copied or used for manufacturing purposes without express authority in writing from the said company.

DRG. No.
PCG/ATX/A2L

ISSUE 9

THIS DRAWING IS OF A CERTIFIED COMPONENT, AND NO CHANGES MUST BE MADE WITHOUT REFERENCE TO THE CERTIFYING AUTHORITY.