

EC2-C* Eclipse Barrier Cable Glands for Armoured Cable - ASSEMBLY INSTRUCTIONS**

Brief Description

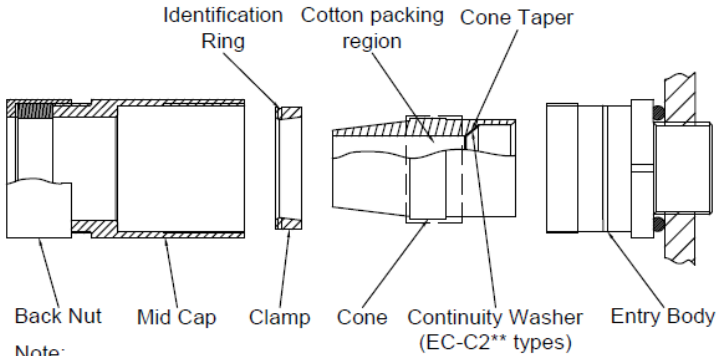
Peppers EC2-C*** type compound filled cable glands featuring a multi-armour clamping are for outdoor use in the appropriate Hazardous Areas with circular pliable wire/ steel wire/ steel tape armoured, braided, screened and unarmoured cable. A variant giving electrical continuity to a lead sheath is available. They gives environmental protection to IP66, IP68 (100 metres for 7 days), IP69 and Deluge. A termination suitable for EMC protection can be made using armoured cables with this gland.

Warning

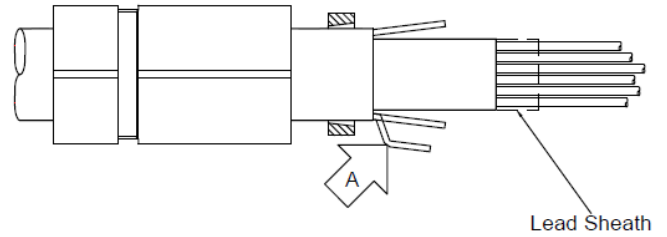
Please read these instructions carefully. These products should not be used in applications except as detailed here or in our datasheets, unless confirmed in writing by Peppers. Peppers take no responsibility for any damage, injury or other consequential loss caused where products are not installed or used according to these instructions. This leaflet is not intended to advice on the selection of product. Further guidance can be found in the standards listed overleaf or the prevailing code of practice. The compound used within this cable gland has application limitations and may be adversely affected by some solvent vapours. If such vapours are likely to be present when the cable gland is in service, necessary precautions should be taken. Peppers Technical Datasheet can be downloaded from our website for further guidance. Prior to use the compound should be stored in a dry area at temperatures between 5°C and 30°C.

STEP-BY-STEP INSTRUCTIONS

SPLIT GLAND

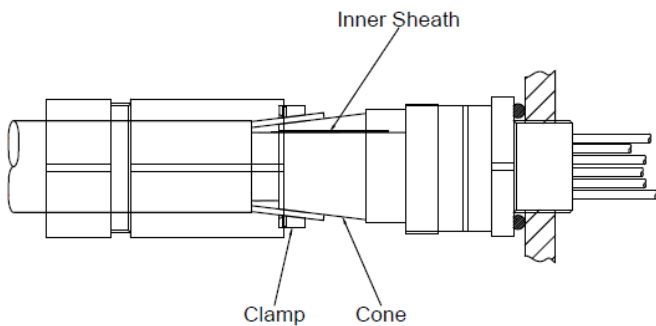


CABLE PREPARATION

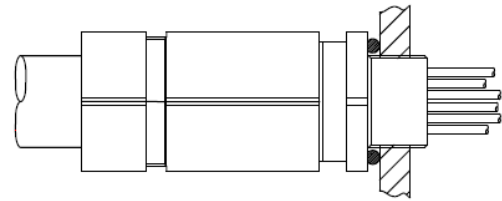


- Note:
1. Clamp for wire armour has 1 identification ring.
 2. Clamp for woven steel wire, braid and steel tape has 2 identification rings.

ARMOUR CLAMPING



COMPLETED INSTALLATION



STEP-BY-STEP FITTING INSTRUCTIONS

1. Split gland as shown. Put cotton filling to one side. Warning. The entry body of this cable gland is coated with a releasing agent to ensure the compound form can be inspected after curing. The entry body should not be treated with any lubricant or be exposed to any solvents. The internal bore of the entry body must not be damaged. Any handling during the course of normal installation will not affect the operation of the releasing agent.
2. Fit Entry Body or secure to facilitate armour clamping.
3. Slide Back Nut, Mid Cap and Clamp, (Rear Assembly) onto cable as shown. Ensure Clamp is in correct orientation for armour, identification ring to rear for wire armour, ring facing forward for tape and braided armour.
4. **CABLE PREPARATION** Strip off outer jacket, length to suit installation.
For armoured cable:
A. Expose armour approx. 20mm long.
B. Where sheath sizes are near minimum, wire armour may require forming to facilitate clamping (arrow A)
For all cables:
C. Trim back inner sheath, for exposed lengths see Table. Lead sheath must be cut to push through the continuity washer, for approximate lengths see Table. Remove protective foils, and any cords/fillers from around and between the cores. Take care not to cut insulating sleeves of the cores. Pigtail and sleeve screens to be passed through compound.
5. Slide Cone onto cable towards armour.
6. Push inner sheath of cable through Cone and slide Rear Assembly forward. Armour must be positioned over Cone and to the Cone shoulder. For lead sheath push through the continuity washer ensuring contact is made. Slide Clamp onto exposed armour. Ensure the Clamp is in the correct orientation for armour type. The clamp should be positioned so that the identification ring is away from the Cone for wire armour and towards the Cone for woven wire, braid or tape. Ensure wire is not overlapping. Ensure Braid is in the woven form to aid clamping.
7. Push cable forward to maintain armour contact. Ensure the armour is in contact with the face of the Cone.
8. To clamp armour onto Cone, hand-tighten Mid Cap to Entry Body then using wrench tighten a further 1 turn. Cable with maximum diameter wire armour may require an additional ½ to 1 turn.
9. Roll and pack cotton filling around the cable and push inside rear of Cone ensuring Cone Taper section is clear. The amount of filling may need to be reduced dependant on size of cable. Note, the cotton filling should fill any gaps between the cable sheath and the metal component to prevent the compound from travelling past the inner sheath when injected. This will ensure a full fill and correct form, see Figure 3.
10. Unscrew Mid Cap to visually check armour is securely clamped. Pull out cable and Cone. If armour has not clamped repeat the clamping process.
11. Once armour is clamped re-assemble Entry body to 7 full turns.

HEALTH AND SAFETY WARNING: The resin used in the compound can cause eye and skin irritation. For your personal protection, wear the gloves supplied whilst in contact with the compound. **A COMPREHENSIVE SAFETY DATA SHEET IS AVAILABLE FOR DOWNLOAD FROM OUR WEBSITE.**

12. Check compound has not passed its "Use By" date. Remove cap from centre of cartridge, see Figure 1. Keep cap for resealing the cartridge at Point 15. from cartridge and assemble nozzle.
13. Push plunger and dispense a small amount of compound to fill the nozzle. This clears the nozzle of air. Failure to do so can affect cure.
14. Support the cable and rear gland assembly. With unarmoured cable, hold Cone and cable roughly concentric. Splay out the cores. Starting at the middle, inject the compound between the cores approximately halfway up internal bore. Re-straighten the cores and bundle with cord or tape (see Figure 2) so they are not disturbed. Continue to inject the compound around the outer cores to just below the Entry Body face. Where cable has large quantity of cores ensure they are bundled near to the gland entry thread to allow withdrawal after cure.
15. Clean off any excess compound from Entry Body thread if overfill has occurred before the compound cures. Compound will cure from 60 minutes @ 23°C (68°F).
16. Before releasing for inspection test the edge of the compound to confirm no longer tacky. Compound must be hard and non-tacky before it is released for inspection.
17. To release the joint for inspection unscrew the Mid Cap. Using a wrench on the Cone, slightly rotate the Cone to loosen from Entry Body. Gently rotate back and forth whilst pulling the rear assembly away from the Entry Body. This will release the compound from the entry body. Do not over rotate as this may damage cable cores or braid. Pull the Cone and compound out for inspection. The compound should appear as in Figure 3 with no gaps, holes or cracks.
18. Hand-tighten Mid Cap to remake the joint. Then refer to table below and tighten using wrench to the given amount.
19. Hold Mid Cap with wrench and tighten Back Nut onto cable. Ensure seal makes full contact with cable sheath, and then tighten Back Nut 1 extra turn.
20. Fit Entry Body. For Entry Body installation torque for O-rings please refer to Table. Tapered threads shall be made up wrench tight. Further guidance can be found in Peppers document CT0030 which can be found on our website. The equipment can now be energised.

EC2-C* Eclipse Barrier Cable Glands for Armoured Cable - ASSEMBLY INSTRUCTIONS**

Figure 1



Figure 2



Figure 3



Tightening Information, Cable Size (mm), Construction & Armour Acceptance (mm)

Gland Size	Entry Body Tightening Torque	Mid Cap Turns Using Wrench	Max. Ø Over Cores	Max. No. Of Cores	Inner Sheath		Outer Sheath				Armour Acceptance				Inner Sheath Length	Lead Sheath Length
					Min.	Max.	Standard		Reduced Bore		Wire		Braid/Tape			
							Min.	Max.	Min.	Max.	Min.	Max.	Min.	Max.		
16S	5Nm	½-turn	8.9	12	4.0	10.0	8.4	13.5	6.7	10.3	0.8	1.25	0.2	0.8	12	18
16	5Nm	½-turn	10.4	15	4.0	11.7	8.4	13.5	6.7	10.3	0.8	1.25	0.2	0.8	12	18
20S	5Nm	½-turn	10.4	15	4.0	11.7	11.5	16.0	9.4	12.5	0.8	1.25	0.2	0.8	12	18
20	5Nm	½-turn	12.5	20	4.0	14.0	15.5	21.1	12.0	17.6	0.8	1.25	0.2	0.8	12	18
25	5Nm	½-turn	16.5	30	8.0	18.5	20.3	27.4	16.8	23.9	1.25	1.6	0.3	1.2	14	18
32	10Nm	½-turn	23.5	50	14.0	26.3	26.7	34.0	23.2	30.5	1.6	2.0	0.3	1.2	17	24
40	10Nm	½-turn	28.8	65	16.0	32.2	33.0	40.6	28.6	36.2	1.6	2.0	0.3	1.2	17	24
50S	10Nm	½-turn	34.2	100	20.0	38.2	39.4	46.7	34.8	42.4	2.0	2.5	0.3	1.6	22	31
50	10Nm	½-turn	39.4	100	20.0	44.1	45.7	53.2	41.1	48.5	2.0	2.5	0.3	1.6	22	31
63S	10Nm	½-turn	44.8	130	30.0	50.1	52.1	59.5	47.5	54.8	2.0	2.5	0.3	1.6	23	32
63	10Nm	½-turn	50.0	130	30.0	56.0	58.4	65.8	53.8	61.2	2.0	2.5	0.3	1.6	23	32

Approvals and Certification

Approval	Certificate Number	Protection Concept / Type
ATEX (2014/34/EU)	CML 19ATEX1113X / CML 21UKEX1036X	Ex I M2 II 1D 2G Ex db I Mb / Ex db IIC Gb / Ex eb I Mb / Ex eb IIC Gb / Ex ta IIIC Da
UKCA (SI 2016 No. 1107)	CML 19ATEX4114X / CML 21UKEX4037X	Ex II 3G Ex nR IIC Gc
IECEX	IECEX CML 19.0035X	Ex db I Mb / Ex db IIC Gb / Ex eb I Mb / Ex eb IIC Gb / Ex nR IIC Gc / Ex ta IIIC Da
EAC	ПРОММАШ ТЕСТ РУ C-GB.АЖ58.В.05106	1Ex db IIC Gb X / 1Ex eb IIC Gb X / 2Ex nR IIC Gc X / PB Ex d I Mb / Ex ta IIIC Da X
CCC	2021312313000446	Ex db I Mb / Ex db IIC Gb / Ex eb I Mb / Ex eb IIC Gb / Ex nR IIC Gc / Ex ta IIIC Da IP66
CCoE (PESO)	P494321/17 & P494321/20	Ex db I Mb / Ex db IIC Gb / Ex eb I Mb / Ex eb IIC Gb / Ex nR IIC Gc
Lloyd's Register	LR2124442TA	Ex db I Mb / Ex db IIC Gb / Ex eb I Mb / Ex eb IIC Gb / Ex nR IIC Gc / Ex ta IIIC Da
DNV	TAE00004XK	Ex db I Mb / Ex db IIC Gb / Ex eb I Mb / Ex eb IIC Gb / Ex nR IIC Gc / Ex ta IIIC Da

Installation Guidance

Point	Advice
1	BS/EN/IEC 60079-10 BS/EN/IEC 60079-14
2	Installation should only be carried out by a competent electrician, skilled in cable gland and appropriate electrical installations.
3	Comprehensive details of the compliance standards can be found in the product certificates which are available for download from our website.
4	NO INSTALLATION SHOULD BE CARRIED OUT UNDER LIVE CONDITIONS.
5	Threaded entries: the product can be installed directly into threaded entries. Threaded entries should comply with the relevant applicable standards and have a lead-in chamfer to allow for full engagement of the threads. Failure to provide a sufficient lead-in chamfer may lead to ingress sealing issues. For Ex db applications a minimum of 5 fully engaged threads is required.
6	Clearance holes: these shall be no larger than 0.7mm above the nominal diameter of the external entry thread. The product should be secured with a Peppers locknut and then tightened to ensure the cable gland is secure. Where no integral sealing method is provided a Peppers sealing washer should be used to maintain IP ratings. A Peppers serrated washer should be used for additional installation protection. Peppers does not recommend using tapered threads in clearance holes.
7	Ingress protection: to maintain the Ingress Protection rating of the product, the entry hole must be perpendicular to the surface of the enclosure. The surface should be clean, dry and must be sufficiently flat and rigid to support the assembly and make the IP joint. Metric threads are supplied with an O-ring and will maintain IP66 and IP68. Other parallel entry threads will maintain an IP rating of IP64. A Peppers sealing washer should be used to maintain all IP ratings greater than IP64. Whilst Peppers products with tapered threads, when installed into a threaded entry, have been tested to maintain IP66 without any additional sealant, due to the differing gauging tolerances associated with the use of tapered threads it is recommended to use a non-hardening thread sealant if an IP rating higher than IP64 is required. Any thread sealant used should be suitable for use in the hazardous area or location where the equipment is installed, have a suitable temperature range for the temperature at the point of mounting, not contain evaporating solvents and not cause corrosion at the threaded interface when used with dissimilar materials. The product incorporates a thread run out according to general machining techniques and will not have a full form thread for the entire length. Threaded entries should have a suitable lead-in chamfer to ensure a seal is maintained, further guidance can be found on Peppers website. It is the user's/installer's responsibility to ensure that the interface between the enclosure and cable gland is suitably sealed for the required application.
8	Where a bonding connection to earth is required a Peppers earth tag should be used. Peppers earth tags have been independently tested to comply with the Category B values given in IEC 62444. Peppers earth tags should be fitted over the external entry thread from either inside or outside the enclosure. If fitted internally they must be secured with a Peppers locknut and optionally a Peppers serrated washer. Further guidance can be found in Peppers document CT0170 which can be found on our website.
9	Peppers external metric entry threads comply with ISO 965-1 & ISO 965-3 with a 6g tolerance fit. The standard metric thread pitch is 1.5mm for threads up to M75 and 2.0mm for size M80 and above. Alternative thread pitches are available upon request. Peppers external NPT threads comply with ASME B1.20.1 with gauging to clause 8.1. All threads comply with the threaded joint requirements of clause 5.3 from IEC 60079-1. Information on other thread types can be found in the product certificates.
10	Once installed do not dismantle except for routine inspection. An inspection should be conducted as per IEC 60079-17. After inspection the gland should be re-assembled as instructed, ensuring the compression nut, mid cap and back nut are correctly tightened to ensure the cable is secure.
11	The O-ring that is fitted to the outer diameter of the Cone cup (visible on figure 3) is to prevent compound from extruding inside the gland during the assembly process. It has no other function and does not contribute to the protection concept or ingress protection rating of the cable gland.
12	If required an anti-seize lubricant may be used to aid assembly and routine inspection, if used care should be taken to ensure no lubricant comes into contact with the cable gland seals as this may impair performance. Any lubricant used should comply with the prevailing code of practice, be suitable for use in the hazardous area or location where the equipment is installed, have a suitable temperature range and not contain evaporating solvents.
13	For chemical resistance information please refer to Peppers T2000 Compound data sheet. Available on request.

Interpretation of Markings

Markings on the outside of this gland carry the following meanings:

Cable Gland Type & Size EC2-C-2-a-R-bbb-ccc-nn; where:

2 =	Optional Continuity Washer for lead sheathed cable	bbb =	Gland size
a =	Main component material B = Brass S = Stainless steel	ccc =	Entry thread type and size
R =	Optional reduced bore outer seal (red silicone)	nn =	Year of manufacture

Special Conditions for Safe Use

- EC2-C*** glands must not be used in enclosures where the temperature at the point of contact is outside the range of -60°C to +120°C, for Peppers T2000 Compound.
- The interface seals comply with the requirements of the standards listed the certificates above when EC2-C*** glands are fitted to a representative enclosure having a smooth flat mounting surface. In practice the interface between the male thread of the glands and their associated enclosure cannot be defined, therefore it is the user's responsibility to ensure that the appropriate ingress protection level is maintained at these interfaces.
- The parallel threaded entry component threads will be suitably sealed using a method that is applicable to the associated equipment to which the gland will be attached, in accordance with the relevant installation code of practice and will ensure that any ingress protection and restricted breathing sealing requirements are maintained.
- When used in explosive dust atmospheres and installed in threaded entries without interface O-ring seals, EC2-C*** glands shall only be fitted into enclosures that have either:
 - parallel entries that will ensure a minimum of 5 full threads of contact will be maintained, this is in accordance with clause 5.1.2 of IEC 60079-31.
 - tapered entries that will ensure a minimum of 3 ½ full threads of contact will be maintained, this is in accordance with clause 5.1.2 of IEC 60079-31.
- Sizes 16S, 20S and 20 EC2-C*** glands shall not be used for Group I, EPL Mb applications where there is a 'high' risk of mechanical damage.

