

CR-S*F & CR-S*M Conduit Stopper Box - ASSEMBLY INSTRUCTIONS

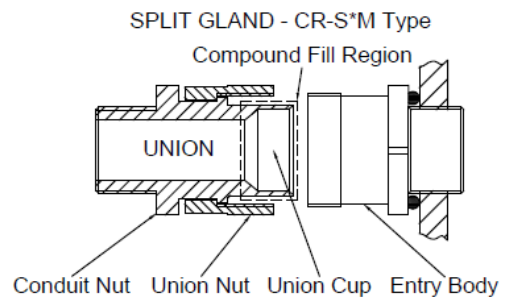
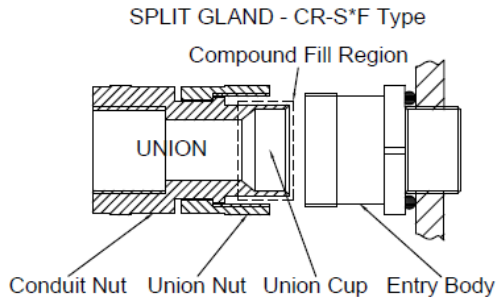
Brief Description

Peppers CR-S*F and CR-S*M type Conduit Stopper Boxes are for outdoor use in the appropriate Hazardous Areas with conductors carried in conduit, to provide a flameproof barrier entry into enclosures, as a line bushing for terminating flying leads or for the direct inter-connection of associated enclosures. They give environmental protection to IP66, IP68 (100 metres for 7 days) and Deluge.

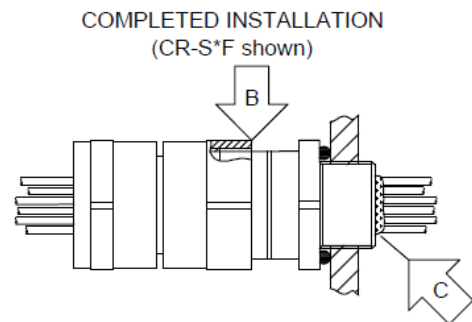
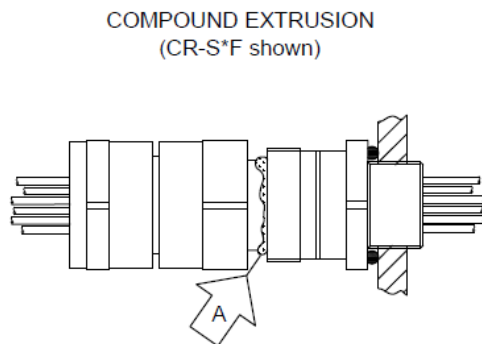
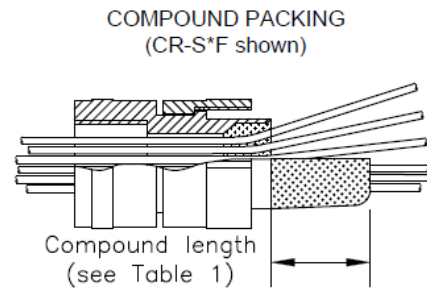
Warning

Please read these instructions carefully. These products should not be used in applications except as detailed here or in our datasheets unless confirmed in writing by Peppers. Peppers take no responsibility for any damage, injury or other consequential loss caused where products are not installed or used according to these instructions. This leaflet is not intended to advise on the selection of product. Further guidance can be found in the standards listed overleaf or the prevailing code of practice. The compound used within this stopper box has application limitations and may be adversely affected by some solvent vapours. If such vapours are likely to be present when the cable gland is in service, necessary precautions should be taken. Peppers Technical Datasheet can be downloaded from our website for further guidance. Prior to use the compound should be stored in its original packaging in a dry area at temperatures between 5°C and 21°C.

STEP-BY-STEP INSTRUCTIONS



GLAND SIZE	COMPOUND LENGTH
16 - 25	40 mm
32 - 40	45 mm
50S - 75	50 mm
80 - 100	60 mm



STEP-BY-STEP FITTING INSTRUCTIONS

- Split the Stopper Box as shown. Warning - the entry body of this stopper box is coated with a releasing agent to ensure the compound form can be inspected after curing. The entry body should not be treated with any lubricant or be exposed to any solvents. The internal bore of the entry body must not be damaged. Any handling during the course of normal installation will not affect the operation of the releasing agent.
- Fit Entry Body, allowing for any installation accessories, and fully engage the thread into the equipment. Hand-tighten, then suitably secure with a wrench. Further guidance can be found in Peppers document CT0030 which can be found on our website.
- For CR-S*F stopper boxes apply suitable seal / sealant to conduit threads to maintain ingress protection. Screw Union onto conduit. For both CR-S*F and CR-S*M stopper boxes - prepare the conductors to suit the installation and pass through the union assembly.

HEALTH AND SAFETY WARNING: The resin used in the compound can cause eye and skin irritation. For your personal protection, wear the gloves supplied whilst in contact with the compound. **A COMPREHENSIVE SAFETY DATA SHEET IS AVAILABLE FOR DOWNLOAD FROM OUR WEBSITE.**

- Check compound has not passed its "Use By" date. It has a work life of about 30 minutes at 16-27°C (60-80°F), during which time it can be worked and shaped before it begins to cure. Full cure takes 24 hours at 16-27°C (60-80°F). Lower temperatures will require a longer cure time. E.g. at 3°C (37°F) full cure takes about seven days. It is recommended to mix the putty and pack the fitting at 20°C (68°F). Minimum mixing/packing temperature is 10°C. Minimum curing temperature is 3°C.
- Trim any hardened pieces from the ends of the sticks. Mix the compound by rolling, folding and breaking. Ease mixing by cutting large sticks in half. Fully mixed compound has a uniform colour with no streaks. See Figure 1 for correctly mixed compound.
- Support the Conduit/Union assembly. Starting in the middle, pack small amounts of rolled-out compound between the cores. Work outwards until all gaps are filled. Bundle the cores with cord or tape (see figure 2) so they are not disturbed. Wrap compound around the outside of the core bundle, then locate the compound & cores into the Union Cup. Ensure that the Union Cup is completely filled. Build up compound around the outside of the cores, with a slight taper and to approximate compound length shown in diagram and Table 1. Where the cable has a large quantity of cores ensure they are bundled near to the stopper box entry thread.
- Pass cores through & push compound into the Entry Body until the Rear Assembly engages. Remove squeezed out compound at arrow A. Screw the Union Nut seven full turns onto the Entry Body (arrow B). Ensure that compound emerges at the entry thread (arrow C).
- Clean off excess compound from Entry Body to allow withdrawal when cured (arrow C). Cores may be disturbed after 1 hour. Leave to cure for 4 hours when working at 21° C.
- To release the compound for inspection, unscrew the Union Nut. Using a wrench on the Mid Cap, rotate the Mid Cap back and forth whilst pulling the rear assembly away from the entry body. This will release the compound from the entry body. Do not over rotate as this may damage cable conductors. Pull the Mid Cap and compound out for inspection. The compound should appear as in Figure 3 with no gaps, holes or cracks.
- To re-make the joint on a CR-S*F stopper box installation hold Conduit Nut and hand-tighten the Union Nut. Then refer to table below and tighten using a wrench to the given amount. To re-make the joint on a CR-S*M stopper box installation screw the Union Nut into equipment/second enclosure. Hand-tighten, then suitably secure with a wrench. Hold Conduit Nut and hand-tighten the Union Nut. Then refer to Table 2 below and tighten using a wrench to the given amount.
- The equipment should not be energised until the compound has been left to cure for at least 4 hours when working at 21° C. See chart Compound Cure Time vs. Temperature for further guidance.

CR-S*F & CR-S*M Conduit Stopper Box - ASSEMBLY INSTRUCTIONS

Figure 1



Figure 2

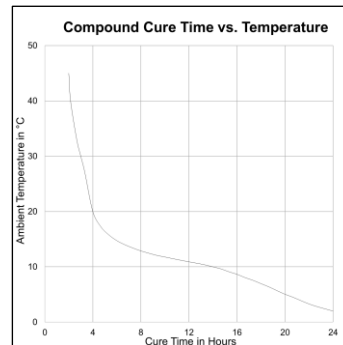


Figure 3



Table 2 Tightening Information (Instruction 10), Cable Sizes and Permitted Cores

Stopper Box Size	Tighten Union Nut with Wrench	Max. Cable Ø	Max. Ø Over Cores	Max. No. of Cores
20	½-turn	14.0	12.5	40
25	½-turn	20.0	17.8	60
32	½-turn	26.3	23.5	80
40	½-turn	32.2	28.8	130
50S	½-turn	38.2	34.2	200
50	½-turn	44.1	39.4	400
63S	½-turn	50.1	44.8	400
63	½-turn	56.0	50.0	425
75S	½-turn	62.0	55.4	425
75	½-turn	68.0	60.8	425
80	¾-turn	72.0	64.4	425
85	¾-turn	78.0	69.8	425
90	¾-turn	84.0	75.1	425
100	¾-turn	90.0	80.5	425



Approvals and Certification

Approval	Certificate Number	Protection Concept / Type
ATEX (2014/34/EU)	CML 19ATEX1344X / CML 21UKEX1031X	Ex I M2 II 1D 2G Ex db I Mb / Ex db IIC Gb / Ex eb I Mb / Ex eb IIC Gb / Ex ta IIC Da
UKCA (SI 2016 No. 1107)	CML 19ATEX4114X / CML 21UKEX4037X	Ex II 3G Ex nR IIC Gc
IECEX	IECEX CML 19.0046X	Ex db I Mb / Ex db IIC Gb / Ex eb I Mb / Ex eb IIC Gb / Ex nR IIC Gc / Ex ta IIC Da
CSA	1356011	Ex db IIC Gb / Ex eb IIC Gb / Ex ta IIC Da CL I Div 2 Gr ABCD / CL II Gr EFG / CL III Type 4X IP66 IP68
INMETRO	NCC 13.2188 X	Ex db I Mb / Ex db IIC Gb / Ex eb I Mb / Ex eb IIC Gb / Ex nR IIC Gc / Ex ta IIC Da
EAC	PROMMALU TECT RU C-GB.AJK58.B.05106	PB Ex db I Mb X / 1Ex db IIC Gb X / PB Ex eb I Mb X / 1Ex eb IIC Gb X / Ex ta IIC Da X / 2Ex nR IIC Gc X
UKRAINE	CL 18.0322 X	I M2 Ex db I Mb / Ex eb I Mb / II 1D 2G 3G Ex db IIC Gb / Ex eb IIC Gb / Ex nR IIC Gc / Ex ta IIC Da
CCC	2021312313000407	Ex db I Mb / Ex db IIC Gb / Ex eb I Mb / Ex eb IIC Gb / Ex nR IIC Gc / Ex ta IIC Da IP66
CCoE (PESO)	P494321/18 & P494321/20	Ex db I Mb / Ex db IIC Gb / Ex eb I Mb / Ex eb IIC Gb / Ex nR IIC Gc
ABS	20-LD1944057-PDA14-LD463991A-1-PDA	Specified ABS Rules – See certificate
Lloyd's Register	LR2124442TA	Ex db I Mb / Ex db IIC Gb / Ex eb I Mb / Ex eb IIC Gb / Ex nR IIC Gc / Ex ta IIC Da
DNV	TAE00004XK	Ex db I Mb / Ex db IIC Gb / Ex eb I Mb / Ex eb IIC Gb / Ex nR IIC Gc / Ex ta IIC Da

Installation Guidance

Point	Advice
1	BS/EN/IEC 60079-10 BS/EN/IEC 60079-14 Canadian Electrical Code (CSA C22.1)
2	Installation should only be carried out by a competent electrician, skilled in cable gland and appropriate electrical installations.
3	Comprehensive details of the compliance standards can be found in the product certificates which are available for download from our website.
4	NO INSTALLATION SHOULD BE CARRIED OUT UNDER LIVE CONDITIONS.
5	Threaded entries: the product can be installed directly into threaded entries. Threaded entries should comply with the relevant applicable standards and have a lead-in chamfer to allow for full engagement of the threads. Failure to provide a sufficient lead-in chamfer may lead to ingress sealing issues. For Ex db applications a minimum of 5 fully engaged threads is required.
6	Clearance holes: these shall be no larger than 0.7mm above the nominal diameter of the external entry thread. The product should be secured with a Peppers locknut and then tightened to ensure the cable gland is secure. Where no integral sealing method is provided a Peppers sealing washer should be used to maintain IP ratings. A Peppers serrated washer should be used for additional installation protection. Peppers does not recommend using tapered threads in clearance holes.
7	Ingress protection: to maintain the Ingress Protection rating of the product, the entry hole must be perpendicular to the surface of the enclosure. The surface should be clean, dry and must be sufficiently flat and rigid to support the assembly and make the IP joint. Metric threads are supplied with an O-ring and will maintain IP66 and IP68. Other parallel entry threads will maintain an IP rating of IP64. A Peppers sealing washer should be used to maintain all IP ratings greater than IP64. Whilst Peppers products with tapered threads, when installed into a threaded entry, have been tested to maintain IP66 without any additional sealant, due to the differing gauging tolerances associated with the use of tapered threads it is recommended to use a non-hardening thread sealant if an IP rating higher than IP64 is required. Any thread sealant used should be suitable for use in the hazardous area or location where the equipment is installed, have a suitable temperature range for the temperature at the point of mounting, not contain evaporating solvents and not cause corrosion at the threaded interface when used with dissimilar materials. The product incorporates a thread run out according to general machining techniques and will not have a full form thread for the entire length. Threaded entries should have a suitable lead-in chamfer to ensure a seal is maintained, further guidance can be found on Peppers website. It is the user's/installer's responsibility to ensure that the interface between the enclosure and cable gland is suitably sealed for the required application.
8	Where a bonding connection to earth is required a Peppers earth tag should be used. Peppers earth tags have been independently tested to comply with the Category B values given in IEC 62444. Peppers earth tags should be fitted over the external entry thread from either inside or outside the enclosure. If fitted internally they must be secured with a Peppers locknut and optionally a Peppers serrated washer. Further guidance can be found in Peppers document CT0170 which can be found on our website.
9	Peppers external metric entry threads comply with ISO 965-1 & ISO 965-3 with a 6g tolerance fit. The standard metric thread pitch is 1.5mm for threads up to M75 and 2.0mm for size M80 and above. Alternative thread pitches are available upon request. Peppers external NPT threads comply with ASME B1.20.1 with gauging to clause 8.1. All threads comply with the threaded joint requirements of clause 5.3 from IEC 60079-1. Information on other thread types can be found in the product certificates.
10	Once installed do not dismantle except for routine inspection. An inspection should be conducted as per IEC 60079-17. After inspection the gland should be re-assembled as instructed, ensuring the compression nut, mid cap and back nut are correctly tightened to ensure the cable is secure.
11	The O-ring that is fitted to the outer diameter of the Union Cup (visible on figure 3) is to prevent compound from extruding inside the gland during the assembly process. It has no other function and does not contribute to the protection concept or ingress protection rating of the cable gland.
12	If required an anti-seize lubricant may be used to aid assembly and routine inspection, if used care should be taken to ensure no lubricant comes into contact with the cable gland seals as this may impair performance. Any lubricant used should comply with the prevailing code of practice, be suitable for use in the hazardous area or location where the equipment is installed, have a suitable temperature range and not contain evaporating solvents.

Interpretation of Markings

Markings on the outside of this stopper box carry the following meanings: Stopper Box Type & Size CR-S-a-b-ccc-ddd-eee-nn

a =	Main component material	B = Brass	ccc =	Stopper box size
		S = Stainless Steel	ddd =	Entry thread type and size
b =	Back-end configuration	F = Female thread	eee =	Back-end configuration thread type and size
		M = Male thread	nn =	Year of manufacture

Specific Conditions of Use

- CR-S*F and CR-S*M glands must not be used in enclosures where the temperature at the point of contact is outside the range of -60°C to +135°C.
- The interface seals comply with the requirements of the standards listed the certificates above when CR-S*F and CR-S*M glands are fitted to a representative enclosure having a smooth flat mounting surface. In practice the interface between the male thread of the glands and their associated enclosure cannot be defined, therefore it is the user's responsibility to ensure that the appropriate ingress protection level is maintained at these interfaces.
- When used in explosive dust atmospheres and installed in threaded entries without interface O-ring seals, CR-S*F and CR-S*M glands shall only be fitted into enclosures that have either:
 - parallel entries that will ensure a minimum of 5 full threads of contact will be maintained, this is in accordance with clause 5.1.2 of IEC 60079-31.
 - tapered entries that will ensure a minimum of 3 ½ full threads of contact will be maintained, this is in accordance with clause 5.1.2 of IEC 60079-31.